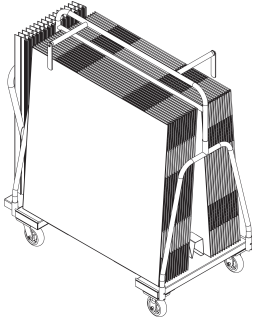


MITYLITE

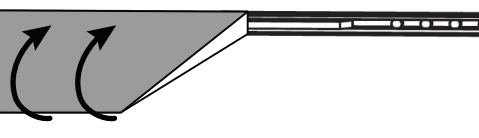
Magnattach® Premier Portable Dance Floor

DISASSEMBLY INSTRUCTIONS

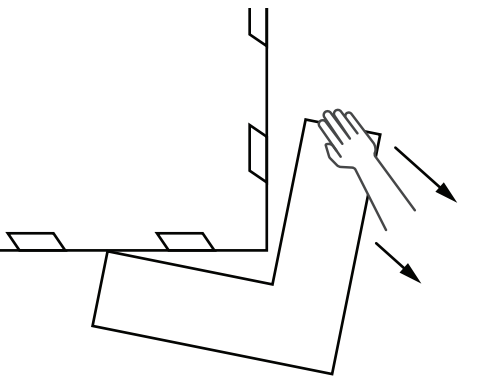
1 STORE panels on cart, dance surface to cart center, as shown. Orient panels with black steel dot in the lower left corner



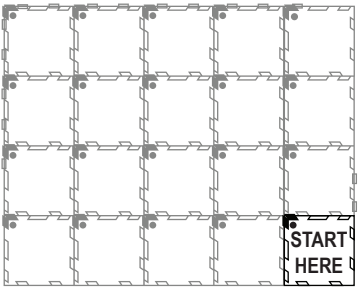
2 LIFT UP all straight edges and stack on cart



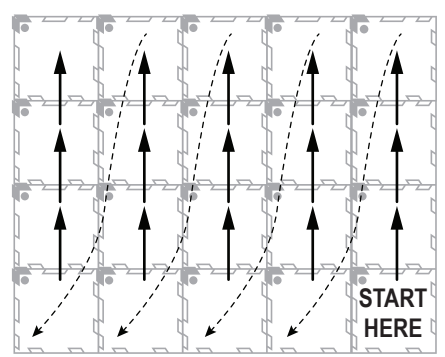
3 SWIVEL OFF corners, keeping level to ground – DO NOT LIFT UP!



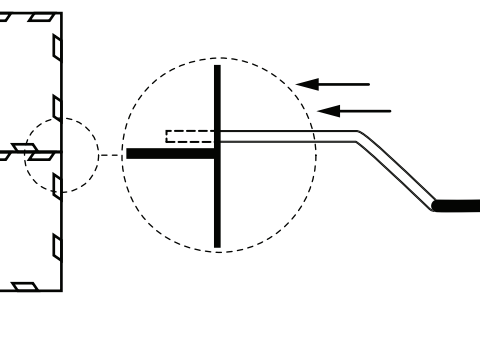
4 IMPORTANT! Start disassembly OPPOSITE the black steel corner.



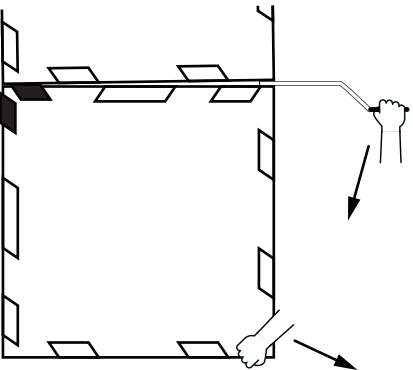
5 Disengage panels in order AS SHOWN HERE



6 INSERT disengager level (provided) between panels

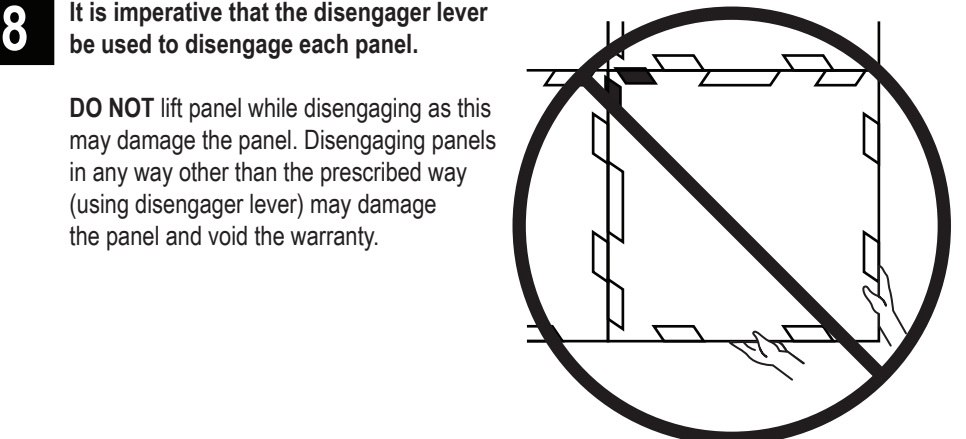


7 SLIDE top row panels left and up



8 It is imperative that the disengager lever be used to disengage each panel.

DO NOT lift panel while disengaging as this may damage the panel. Disengaging panels in any way other than the prescribed way (using disengager lever) may damage the panel and void the warranty.




Scan this code to watch the Magnattach disassembly tool demonstration video!

<https://www.youtube.com/watch?v=4fln5dM-7Hc>

(See bottom of Mangnatach panel for care and maintenance)



See bottom of Mangnatach panel for care and maintenance or scan this code to view online.

<https://mitylite.com/cleaning/magnattach-dance-floor>

MITYLITE
 1301 West 400 North
 Orem, Utah 84057
 (USA) 800-327-1692
 801-224-0589
 Fax 801-224-6191
 mitylite.com

