

MITYLITE®

Magnattach® Premier Portable Dance Floor

ASSEMBLY INSTRUCTIONS

1 REMOVE DEBRIS from all panels and edge trim

2 LAY OUT all trim with 2 locking steel bars on upper and left sides as shown for desired floor position

3 CONNECT corner-trim to 1st panel

NOTE: Put panels on ground with black steel locking bars pointed to upper left as shown

4 SLIDE next panel up and left

Keep Contact!
Slow

5 SQUARE the panels (NO GAPS)

6 FOLLOW numbered order and attach trim as you go

7 SLIDE top row panels left and up

Keep Contact!
Slow

8 SQUARE panel and lock edge

9 INSERT nested panels **DIAGONALLY**

FAST!

10 SQUARE the panels

11 REPEAT steps 7 thru 10

12 Attach remaining corners and trim. **ENSURE** all trim is squared and tightly locked with **NO** gaps.

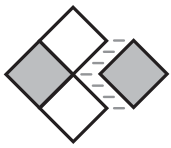
MITYLITE®
 1301 West 400 North
 Orem, Utah 84057
 (USA) 800-327-1692
 801-224-0589
 Fax 801-224-6191
 mitylite.com

Scan this code to watch the Magnattach assembly demonstration video!

<https://www.youtube.com/watch?v=aHS8MnTnfR8>



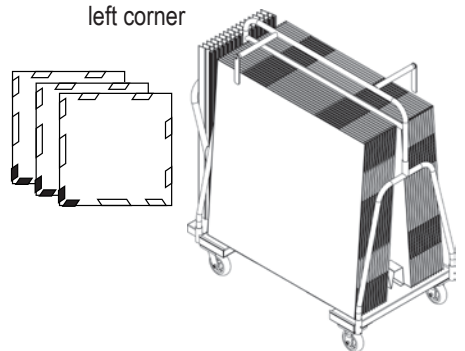
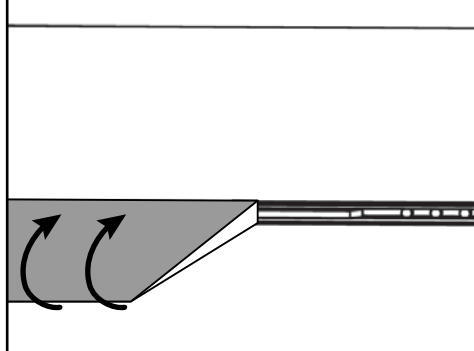
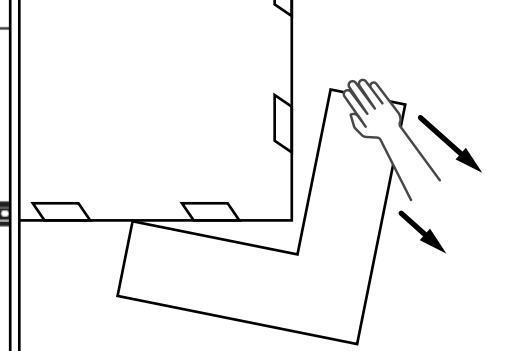
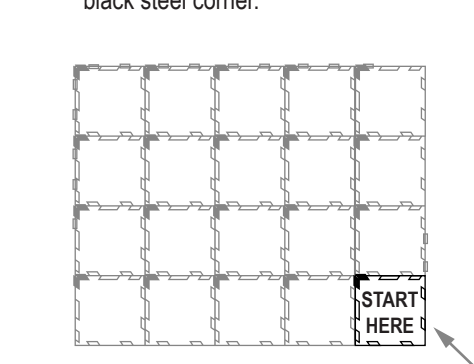
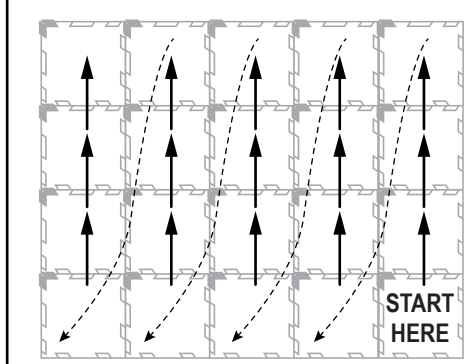
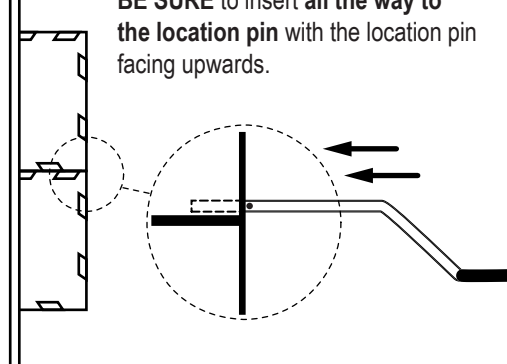
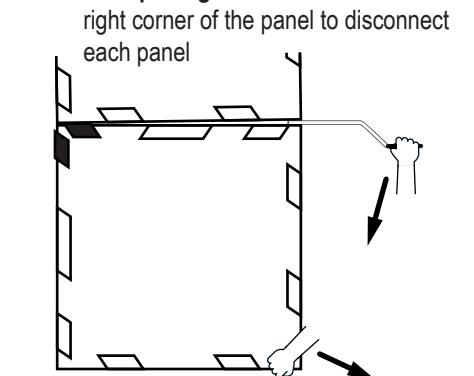
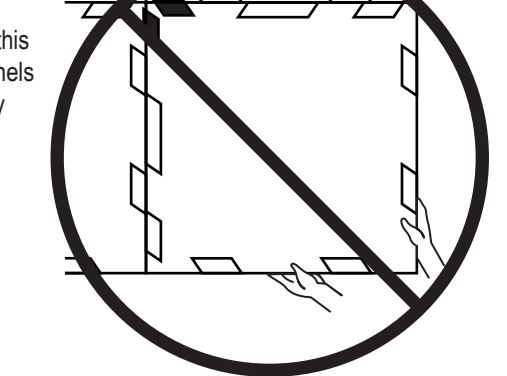
(See other side for DISASSEMBLY Instructions)



MITYLITE

Magnattach® Premier Portable Dance Floor

DISASSEMBLY INSTRUCTIONS

<p>1 STORE panels on cart, dance surface to cart center, as shown. Orient panels with black steel locking bar in the lower left corner</p> 	<p>2 LIFT UP all straight edges and stack on cart</p> 	<p>3 SWIVEL OFF corners, keeping level to ground – DO NOT LIFT UP!</p> 
<p>4 IMPORTANT! Start disassembly OPPOSITE the black steel corner.</p> 	<p>5 Disengage panels in order AS SHOWN HERE</p> 	<p>6 INSERT disengager tool just above the panel you are disengaging. BE SURE to insert all the way to the location pin with the location pin facing upwards.</p> 
<p>7 PULL DOWN on disengager tool while pulling down and left on bottom right corner of the panel to disconnect each panel</p> 	<p>8 It is imperative that the disengager lever be used to disengage each panel.</p> <p>DO NOT lift panel while disengaging as this may damage the panel. Disengaging panels in any way other than the prescribed way (using disengager lever) may damage the panel and void the warranty.</p> 	



Scan this code to watch the Magnattach disassembly tool demonstration video!

<https://www.youtube.com/watch?v=4fln5dM-7Hc>

(See bottom of Mangnatach panel for care and maintenance)



See bottom of Mangnatach panel for care and maintenance or scan this code to view online.

<https://mitylite.com/cleaning/magnattach-dance-floor>

MITYLITE

1301 West 400 North
Orem, Utah 84057
(USA) 800-327-1692
801-224-0589
Fax 801-224-6191
mitylite.com

