



MITYLITE[®]

DURABLE LIGHTWEIGHT TABLES

ABS ROUND





The proprietary edge construction of the MityLite ABS Round Table is three times more durable than leading competitors. A wide variety of round and specialty sizes are available for space-saving setups or unique configurations. MityLite ABS tables are perfect for high-use, high-turn areas and provide years of reliable service.*

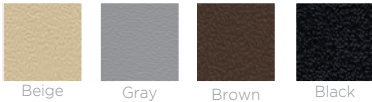
PRODUCT FEATURES

- 1** Supports more than 2,000 lbs (907kgs)
- 2** Durable, lightweight design
- 3** Variety of leg options available
- 4** Moderate heat shield subsurface
- 5** Stain-resistant tabletop wipes clean
- 6** MITY-EDGE™ is 3X more durable than competitors
- 7** Table legs fold for easy handling & storage
- 8** Non-marring glides

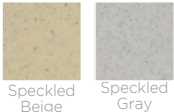


ABS TABLETOP COLOR OPTIONS

TEXTURED TABLETOP FINISHES

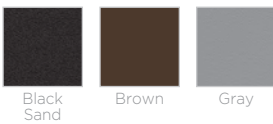


SMOOTH TABLETOP FINISHES (CUSTOM)



Note: SMOOTH Finish is an additional upcharge

LEG FINISH OPTIONS



ABS Round & Specialty Tables



*These tables are not recommended for longterm outdoor use.



TABLE TOP

Surface is formed from high-impact ABS plastic and is permanently bonded to the internal wood laminate core. A variety of smooth and textured finishes are available.

TABLE EDGE

Round tables are equipped with Mity-Edge, which lasts 3X longer than leading competitors'. It is made of ABS plastic and is bonded to the entire interior perimeter of the table. A finished bumper is also chemically welded to the exterior perimeter of the table, creating a moisture-resistant barrier. This bumper also accepts standard skirting clips.



TABLE LEGS

Reinforced wishbone legs are welded to the cross and top bars. Legs are 29-inch to 30-inch with nylon or steel closures for floor protection. Legs fold and lock with a gravity-operated steel ring. Folding mechanism consists of 2 Z-bars and a U-channel.

FRAME

Frame & legs are constructed of steel. Steel is powdered coated to increase durability & is scratch resistant.



UNDERSURFACE

Bottom of table is formed from high-impact ABS plastic and is permanently bonded to the internal wood laminate core and hard wood frame. (Gray undersurface shown.)



INTERNAL WOOD CORE

A 0.10-inch to 0.14-inch [2.5 mm - 3.6 mm] thick wood laminate layer is permanently bonded to both top and bottom ABS plastic. Laminate core keeps table flat and provides a moderate heat shield.



WOOD FRAME

An internal hardwood frame is constructed of runners and cross members for additional strength, stability, and performance. The amount of wood varies depending on the size of the table.



LEG ASSEMBLY

Leg assemblies are mounted to the internal wood frame using steel clamps. Clamps, folding mechanism, and brackets are secured into inT-Nut in type fasteners. inT-Nut in fasteners are pressed into frame and have anti-spin prongs.





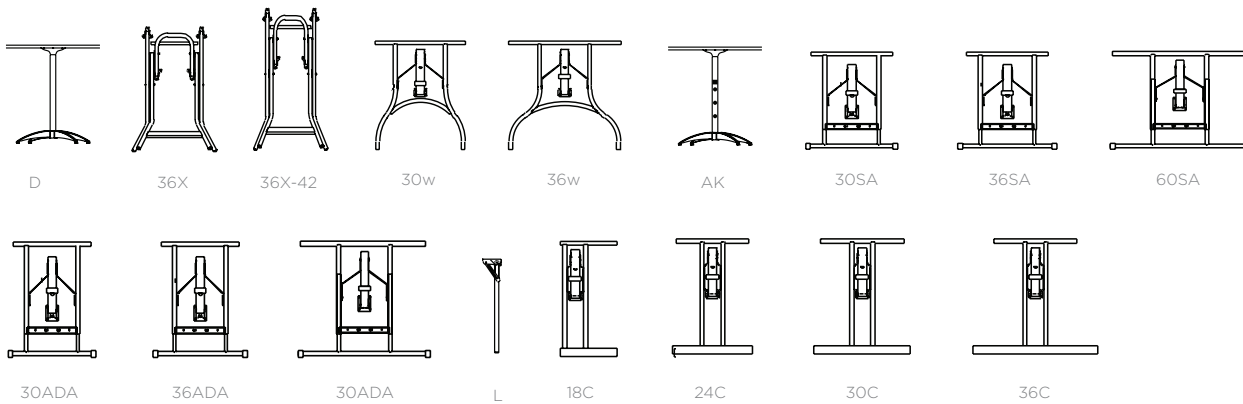
AVAILABLE DIMENSIONS

DIAMETERS
24 in (61 cm)
30 in (76 cm)
36 in (91 cm)
42 in (107 cm)
48 in (122 cm)
66 in (168 cm)
72 in (183 cm)

SPECIFICATIONS

DIAMETER	HEIGHT	WEIGHT
72 in (183 cm) Round	29 in (73 cm)	81 lbs (37 kg)
66 in (168 cm) Round	29 in (73 cm)	71 lbs (32 kg)
60 in (152 cm) Round	29 in (73 cm)	59 lbs (27 kg)
48 in (122 cm) Round	29 in (73 cm)	41 lbs (19 kg)
48 in (122 cm) Plycore Round	29 in (73 cm)	48 lbs (22 kg)
42 in (107 cm) Plycore	29 in (73 cm)	45 lbs (21 kg)
36 in (91 cm) Plycore	29 in (73 cm)	26 lbs (12 kg)
30 in (76 cm) Plycore	29 in (73 cm)	24 lbs (11 kg)
24 in (61 cm) Plycore	29 in (73 cm)	15 lbs (7 kg)

LEG OPTIONS





CARTS

Our lightweight, easy-rolling XpressPort carts or Mitylite Carts are the perfect partners to get our ABSI tables where they need to go quickly and extend the life of the table.



XPRESSPORT 31 IN WIDE CART
HOLDS 8 TABLES

XPRESSPORT 38 IN WIDE CART
HOLDS 10 TABLES



CT CART
STACKING**
HOLDS 10 TABLES



CT CART EDGE NARROW
HOLDS 6 TABLES

CT CART EDGE WIDE
HOLDS 12 TABLES



CT CART SMALL
HOLDS (20) 24 IN, 30
IN, 36 IN TABLES



CT CART X-LEG
HOLDS 8 TABLES



**X-BASE—STACKING
REQUIRED FOR CT
STACKING CARTS
(UP TO 3 HIGH)



CT/RT CART
12 KNOCK-DOWN
HOLDS 12 TABLES



CT/RT CART
24 KNOCK-DOWN
HOLDS 24 TABLES





WARRANTY

Visit mitylite.com/warranty

STANDARDS

All tables meet the American National Standard Institute's stability standard: ANSI-x5.5-1989.

SUSTAINABILITY

ABS tables are GREENGUARD Certified® and qualify for credits through LEED® and other sustainable building programs.



MITYLITE

holsag

BERTOLINI

XpressPort