



MITYLITE[®]
COLLECTION

SERPENTINE TABLE CART
SERPENTINE—EDGE





The **Serpentine Cart—Edge** is designed to hold up to eight serpentine tables stacked on edge. A handle is provided at the swivel caster end of the cart allowing the user to easily steer the cart. Handles are also provided on each side of the cart to hold the tables in position.

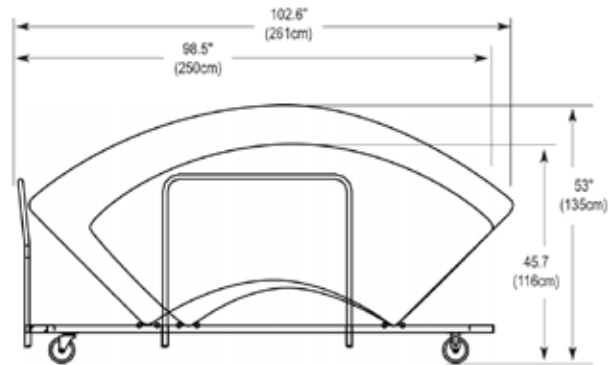
PRODUCT FEATURES

- 1** Holds up to eight serpentine tables
- 2** Tables come standard with stacking buttons prevent sliding
- 3** Casters are 1 1/4" wide x 5" diameter which makes for ease of handling
- 4** Main Frame made of bent and punched 14 gauge (.083) steel sheet metal



TABLE COMPATIBILITY

- ABS Plastic Tables
- Al-13™ Aluminum Tables
- Madera™ Plywood Tables
- Madera™ Laminate Tables
- Reveal Tables
- ST3060, ST3672



SPECIFICATIONS

SIZE	WIDTH	HEIGHT	LENGTH	WEIGHT
Unloaded	36" (91cm)	39.5" (100cm)	98.5" (250cm)	75 lbs (26kg)
ST3060	30" (76cm)	45.7" (116cm)	98.5" (250cm)	-
ST3672	36" (91cm)	53" (135cm)	102.6" (261cm)	-

