

SPECIFICATIONS

Applications:

The MityHost™/MityTuff® Cart – 4 Wheel is designed to hold 10 MityHost™ chairs and 12 MityTuff® 120 chairs.

Primary Structure:

Part	Material Size
Main Frame	1" x 16 gauge (.065 wall) round tubing
Chair Stop	5/8" x 1-1/4" x 18 gauge (.065 wall) oval tubing
Axle	3/4" cold-rolled solid steel bar

QUICK SPECS				
Position	Width	Height	Length	Weight
Leaned Back	24"	35 1/2"	47"	29 lbs.
Tilted Forward	24"	62"	40"	29 lbs.

Wheels:

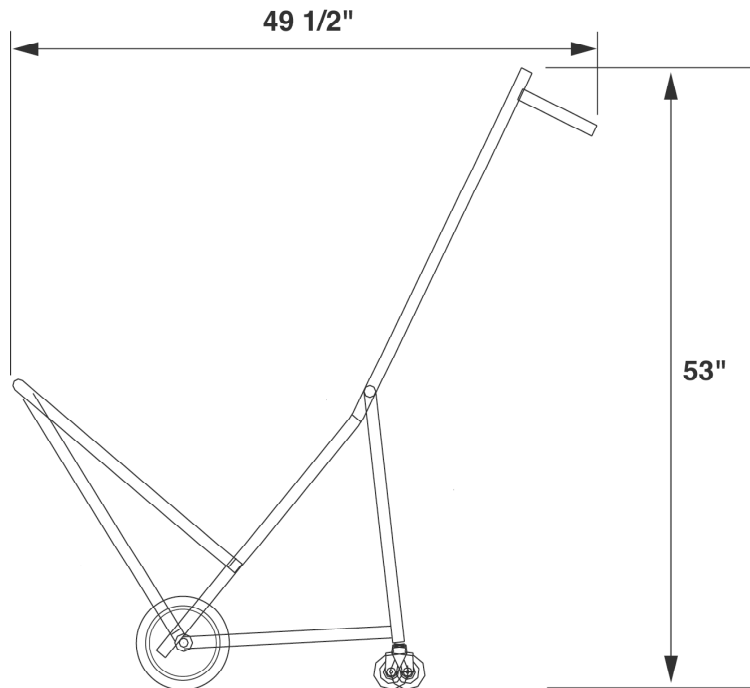
2 large wheels and 2 small casters

Front Wheels:

8" diameter x 2" wide, non-marring, round tread, with 3/4" ball bearings.
They shall have a load capacity of not less than 250 pounds each.

Rear Casters:

Swivel, 3-1/2" diameter x 1-1/4" wide, non-marring, adjustable, threaded stem, flat tread.
They shall have a load capacity of not less than 225 pounds each.



PART NUMBER EXAMPLE: CRT4WCHHTBLK2

www.mitylite.com 1.800.327.1692 • 1.801.224.0589 • fax 1.801.224.6191